

# Lifting loop with threaded end



**Application Instruction**



# Our products from the division BUILDING SOLUTIONS

## SERVICES

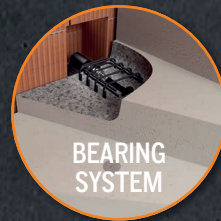
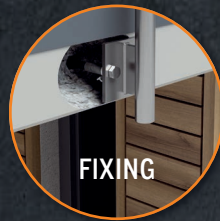
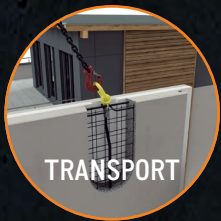
- » On-site tests -> we ensure that your requirements are properly covered by our planning.
- » Test reports -> for your safety and documentation.
- » Trainings -> the knowledge of your employees from planning and production is enhanced by our experts on site, online or via webinar.
- » Planning support -> latest design software, planning documents, CAD data and much more can be downloaded any time from [www.philipp-group.de](http://www.philipp-group.de).

## HIGH DEMANDS ON PRODUCT SAFETY AND PRACTICALITY

- » Close cooperation with notified bodies and - if necessary - approval of our solutions.

## TECHNICAL DEPARTMENT

- » Our expert-team will support you at any time during your planning phase with detailed advice.



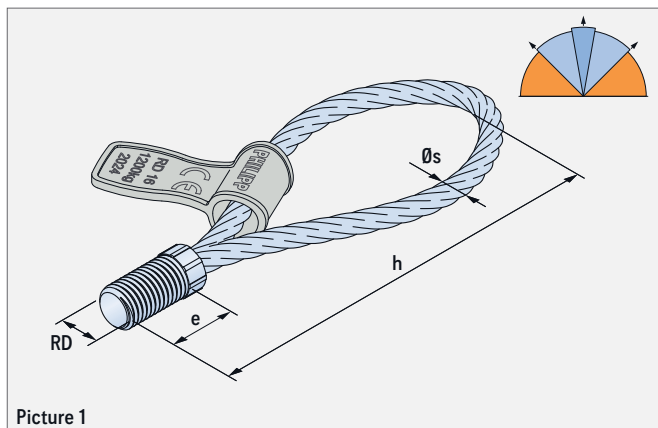
## CONTENT

<b>THE LIFTING LOOP WITH THREADED END</b>	<b>Page</b>	<b>4</b>
Material	Page	4
Marking	Page	4
<b>APPLICATION</b>	<b>Page</b>	<b>5</b>
<b>SAFETY / INSPECTION</b>	<b>Page</b>	<b>6</b>
Safety advice	Page	6
Replacement criteria and inspection service	Page	6

# PHILIPP Lifting loop with threaded end

## THE LIFTING LOOP WITH THREADED END

The Lifting loop with threaded end is part of the PHILIPP Transport anchor system and complies with the VDI/BV-BS Guideline "Lifting inserts and lifting insert systems for precast concrete elements" (VDI/BV-BS 6205). The use of the Lifting loop with threaded end requires the compliance with this Application Instruction, the Installation and Application Instruction of the particular threaded anchor as well as the General Installation Instruction. The Lifting loop with threaded end is only permissible for axial and diagonal tension up to 45°.



Picture 1

TABLE 1: PERMISSIBLE LOAD BEARING CAPACITIES AND DIMENSIONS

Ref. no. ①	Type	Perm. F 0° - 45° (kN)	RD	Dimensions			Weight (kg/pc.)
				Øs (mm)	h (mm)	e (mm)	
69RD12	RD 12	5.0	12	6	155	22	0.06
69RD16	RD 16	12.0	16	8	165	27	0.13
69RD20	RD 20	20.0	20	10	215	35	0.26
69RD24	RD 24	25.0	24	12	255	44	0.46
69RD30	RD 30	40.0	30	16	300	55	0.88
69RD36	RD 36	63.0	36	18	360	66	1.45
69RD42	RD 42	80.0	42	22	425	75	2.16
69RD52	RD 52	125.0	52	26	530	95	4.50

① Also available with M thread (ref. no. 69M\_...)

- The weight of 1.0 t corresponds to 10.0 kN.

## MATERIAL

The Lifting loop is made of a galvanised steel wire rope while the threaded part is made of a bright precision steel.



## EC DECLARATION OF CONFORMITY (DOC)

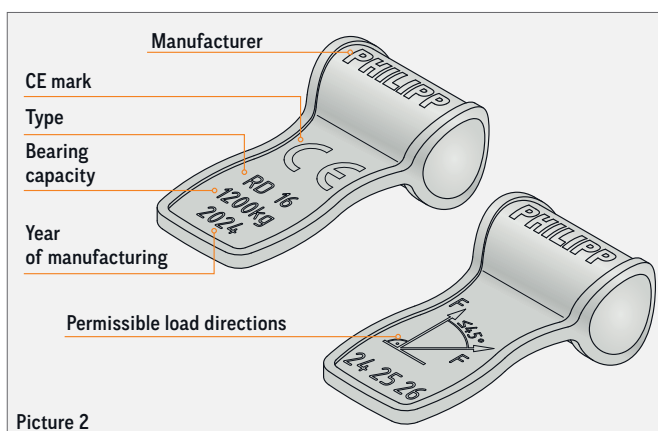
The EC Declaration of Conformity (DoC) of the Lifting loop with threaded end can be downloaded from our website [www.philipp-group.de](http://www.philipp-group.de) or is available on request.



## MARKING

The Lifting loop with threaded end is labelled with a colour-coded tag which includes the following information (picture 2):

- » Manufacturer (PHILIPP)
- » CE mark
- » Type (system / load class)
- » Maximum bearing capacity (e.g. 1200 kg)
- » Year of manufacturing
- » Illustration of the permissible load direction



Picture 2



## APPLICATION

The Lifting loop with threaded end is a lifting device of the threaded transport anchor system and is supplied with a round thread (with metric pitch) or metric thread. It must be screwed into the thread of the transport anchor hand-tight.



### PROTECTION AGAINST UNSCREWING

Using only one Lifting loop with threaded end in order to lift concrete elements attention must be paid that the lifting device is protected against unscrewing.

During use the following must be considered:

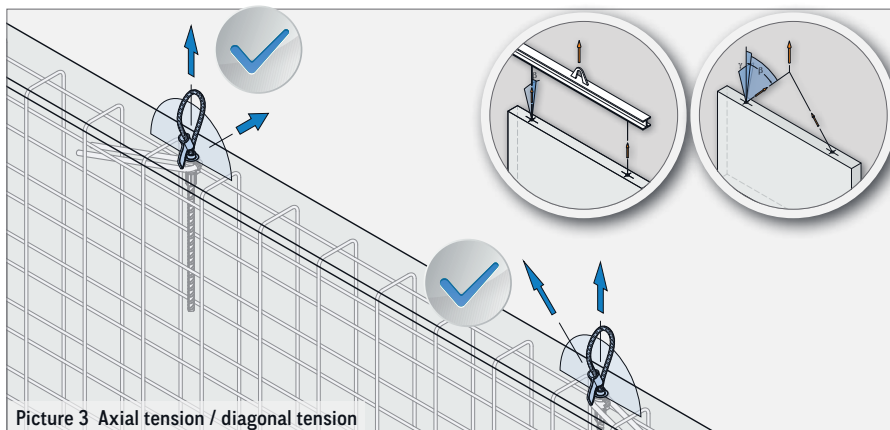
- » Lateral tension to the Lifting loop with threaded end is not permitted!
- » Thread must be screwed in completely!
- » Dirty thread pitches of the transport anchors as well as of the Lifting loops with threaded end are to be cleaned!
- » Please notice the replacement state!
- » Contact of the Lifting loop with threaded end to acids, alkalis or other aggressive media is not allowed!

The Lifting loop with threaded end is only permitted for axial tension and diagonal tension up to 45°. Incorrect load directions during application lead to damages to the rope and the wire rope clamp. In case of a lateral tension within the transport and lifting procedure of the concrete element we recommend to use the Lifting loop plus, Wirbelstar or Lifty as correct lifting device.

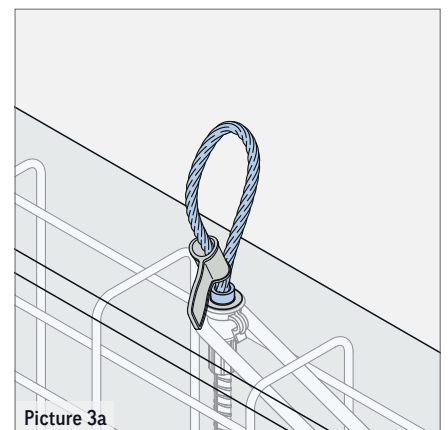


### COMBINATIONS WITH RECESS FORMERS

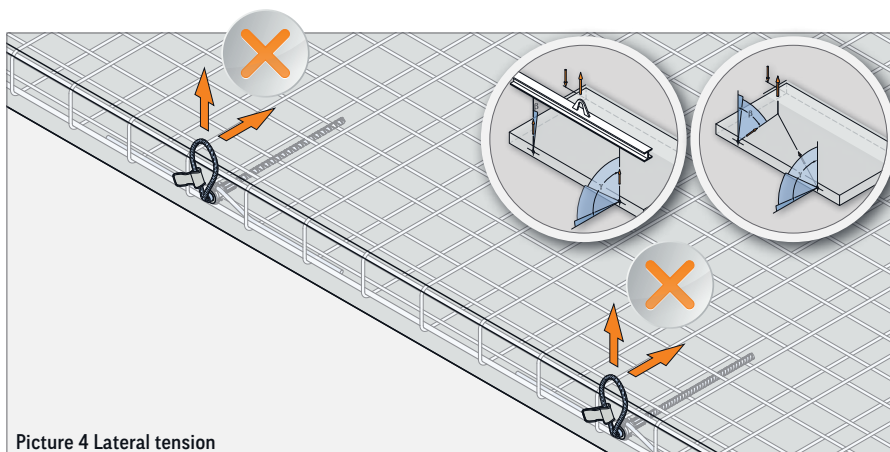
For the combination of a Lifting loop with threaded end with the different PHILIPP recess formers please refer to the document PHILIPP Threaded transport anchor system – Combinations.



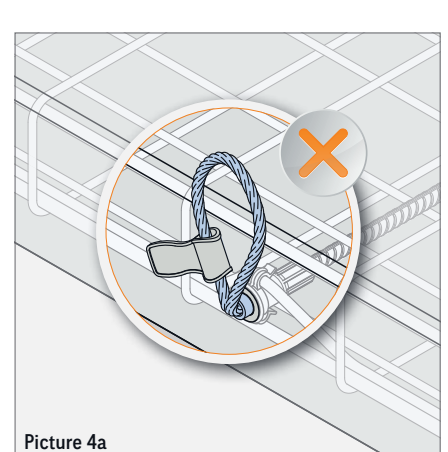
Picture 3 Axial tension / diagonal tension



Picture 3a



Picture 4 Lateral tension



Picture 4a

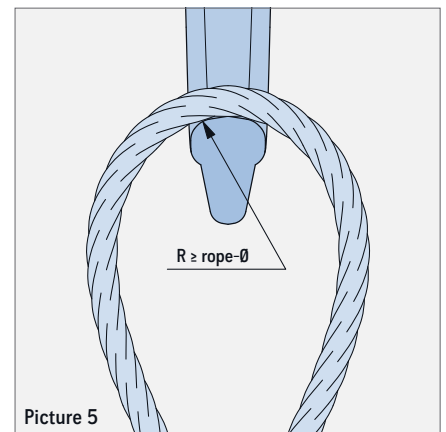
# PHILIPP Lifting loop with threaded end

## SAFETY / INSPECTION

### SAFETY ADVICE

As each other lifting equipment and lifting device the Lifting loop with threaded end is subject to an annual inspection (acc. to German DGUV regulation 109-017, para. 8.2). This inspection has to be done by an expert and lies within the responsibility of the owner. Depending on the working conditions inspections might be necessary in a shorter interval than once a year. This might be caused by frequent use, increased wear, corrosion or heat treatment.

In general, the current accident prevention regulations must be observed. The correct hook size and form should be considered in order to extend the durability.



Picture 5

### ROUNDING RADIUS

The rounding radius of the load hooks must be at least the rope diameter of the Lifting loop with threaded end (picture 5). The use of too small, too large or sharp-edged hooks leads to a reduced lifetime of the lifting device (replacement criteria).

If the Lifting loop with threaded end is loaded with extreme forces (e.g. by an event causing damage) it must be examined extraordinarily by an expert. The criteria are given below.

### WELDING

Welding or other strong heat influences on the Lifting loop with threaded end are not allowed.

### DAMAGED DEVICES

The continued use of damaged lifting devices or equipment already met the discard criteria is not permitted!

## REPLACEMENT CRITERIA AND INSPECTION SERVICE

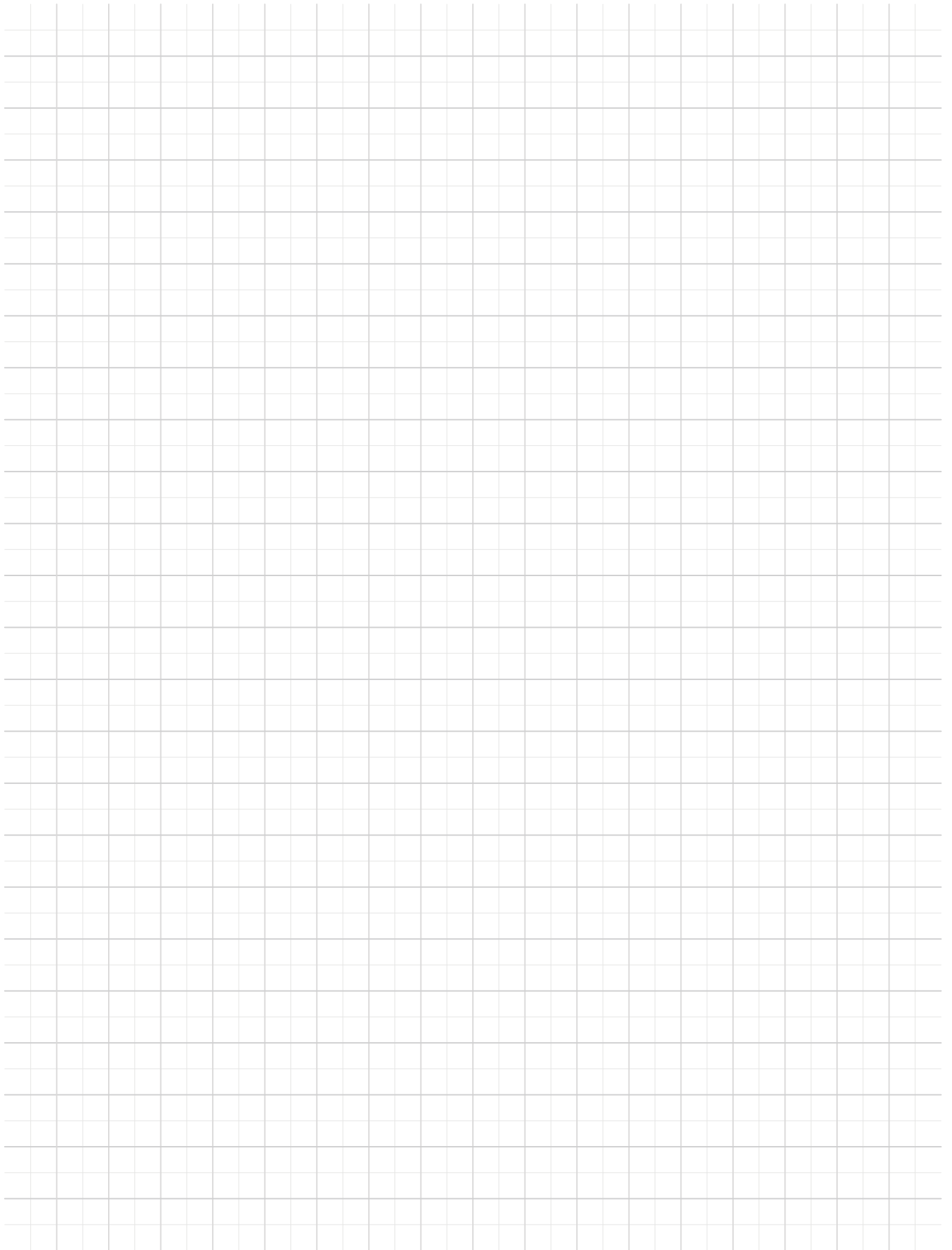
The replacement criteria of the Lifting loop with threaded end are based on the German regulation DGUV 109-017, para. 8.4. Prior inspection the Lifting loop with threaded end must be cleaned. During inspection the following points have to be considered. If one of them is fulfilled the Lifting loop with threaded end has reached its replacement state and cannot be used anymore.

- » Broken strand
- » Kinks and bends
- » Loosening of external layer
- » Contusion in free lengths
- » Contusions in the support area of the eye with more than 4 broken wires
- » 4 broken wires on a length of the threefold of the wire rope diameter
- » 6 broken wires on a length of the sixfold of the wire rope diameter
- » 16 broken wires on a length of the thirtyfold of the wire rope diameter
- » Corrosion pits
- » Damages, deformations or strong wear and tear of the wire connection (threaded component)
- » Breakage of the wire connection end (threaded part)
- » Deformed thread
- » Welding or other strong heat influences
- » Pull-out of the wire rope from threaded part
- » Unreadable or missing tag
- » Dropping below the permissible test dimensions

TABLE 2: TEST DIMENSIONS

Load class	$d_{M,min}$ (mm)	
12	11.50	
16	15.45	
20	19.40	
24	23.40	
30	29.40	
36	35.40	
42	41.20	
52	51.20	

## NOTES





## HEADQUARTERS

Lilienthalstraße 7-9  
63741 Aschaffenburg  
☎ +49 6021 40 27-0  
✉ info@philipp-gruppe.de

## PRODUCTION AND LOGISTICS

Hauptstraße 204  
63814 Mainaschaff  
☎ +49 6021 40 27-0  
✉ info@philipp-gruppe.de

## OFFICE COSWIG

Roßlauer Straße 70  
06869 Coswig/Anhalt  
☎ +49 34903 6 94-0  
✉ info@philipp-gruppe.de

## OFFICE NEUSS

Sperberweg 37  
41468 Neuss  
☎ +49 2131 3 59 18-0  
✉ info@philipp-gruppe.de

## OFFICE TANNHEIM

Robert-Bosch-Weg 12  
88459 Tannheim  
☎ +49 8395 8 13 35-0  
✉ info@philipp-gruppe.de

## PHILIPP VERTRIEBS GMBH

Pfaffing 36  
5760 Saalfelden / Salzburg  
☎ +43 6582 7 04 01  
✉ info@philipp-gruppe.at



HEADQUARTERS Aschaffenburg



Visit us! [www.philipp-group.de](http://www.philipp-group.de)